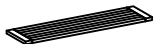












### PARTS LIST

No.	DESCRIPTION	IMAGE	Q'TY
P1	SEAT FRAME		1
P2	LEGS FRAMES		2
P3	METAL STRECHER		1

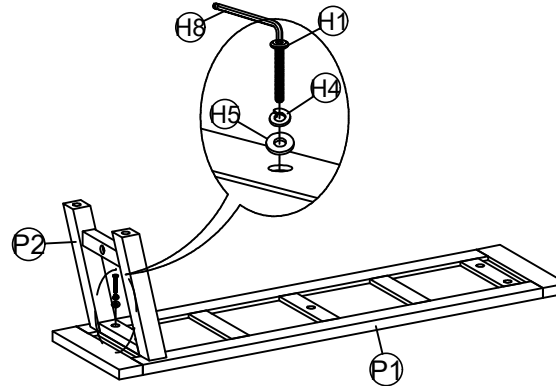
### HARDWARE LIST

No.	DESCRIPTION	IMAGE	Q'TY
H1	BOLT (Ø5/16" X 50 MM)		4
H2	BOLT (Ø1/4" X 30 MM)		1
H3	BOLT (Ø1/4" X 40 MM)		2
H4	SPRING WASHER (Ø5/16"x16)		7
H5	FLAT WASHER (Ø5/16"x16)		4
H6	FLAT WASHER (Ø1/4"x13)		3
H7	WOOD PLUG		2
H8	ALLEN KEY		1

NOTE: PO # is located underneath/ at the back side of each item. Please be prepared to provide this # should any claim be necessary.

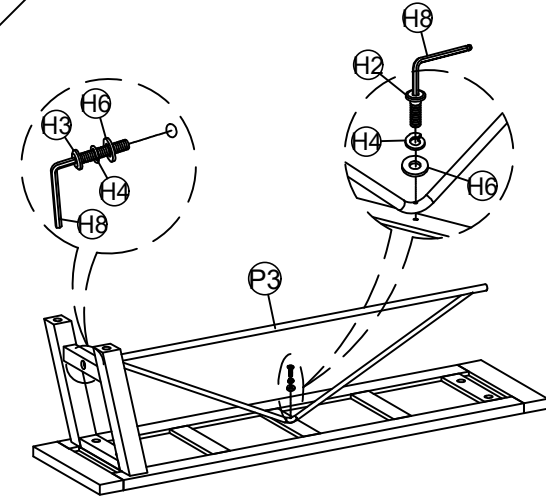
CAUTION: Item is heavy. Assembly should be performed by two people.

1

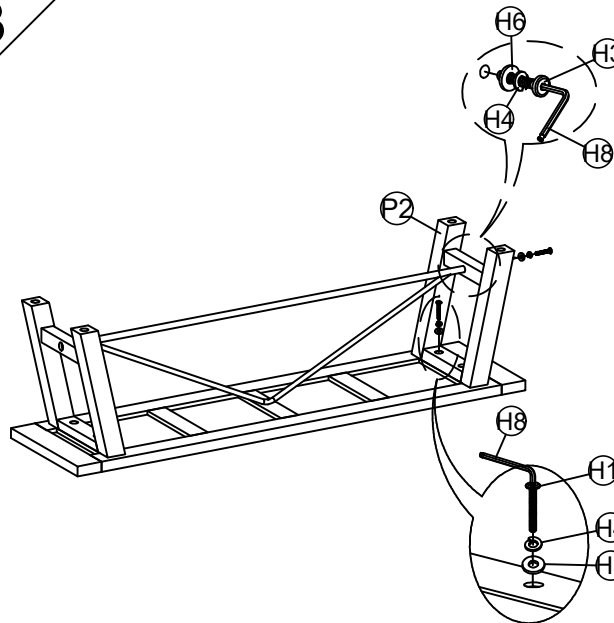


\* DON'T TIGHTEN BOLTS UNTIL STEP 3

2



3



4

